



InsulGrip® Plates

Description

- InsulGrip Plates are 4" x 4", 20 gauge G-60 galvanized steel plates that include multiple 1/2" barbs in two planes.

Uses

- The InsulGrip Plates are designed to facilitate the placement of InsulFoam GF (Geofoam) blocks where multiple layers are to be installed and the movement between blocks must be minimized.

Advantages

- User Friendly.** The InsulGrip Plates are compact, lightweight and easy to install. In addition, unlike alternate adhesives, InsulGrip Plates present no significant challenges during installation when inclement weather exists.
- Cost Effective.** The InsulGrip Plates are typically less expensive than other attachment methods.
- Durable & Strong.** The InsulGrip Plates are manufactured with 1/2" barbs that enable each plate to typically provide 60 lbs. of lateral load resistance.

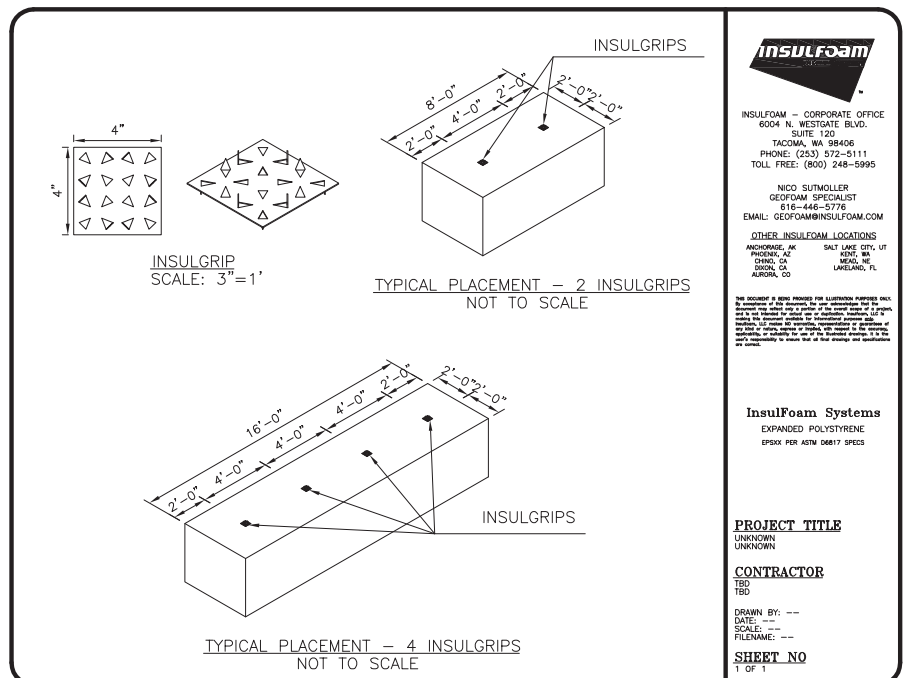
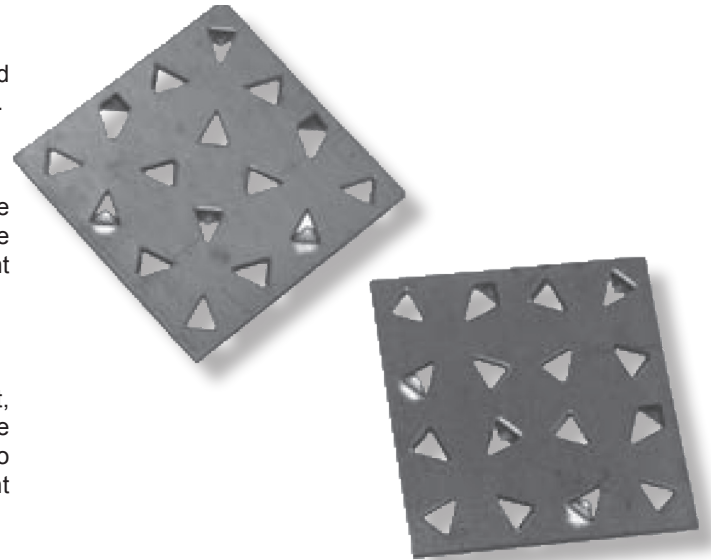
Sizes

- The InsulGrip Plates are available with nominal 4" x 4" dimensions and a 20 gauge thickness.

Installation

Recommendations

- Place InsulGrip Plates as directed or shown on the plans or specifications.
- A minimum of one plate per 16 sq. ft. is recommended.
- Place InsulGrip Plates firmly into the InsulFoam GF blocks and follow with the succeeding layers of InsulFoam GF.



Suggested Fastening Patterns for InsulFoam GF Blocks

Insulfoam LLC
ENGINEERED EPS
Versatile - Durable - Recyclable

www.insulfoam.com

6004 N. Westgate, Suite 120 • Tacoma, WA 98406 • USA
Phone: 253.572.5111 • Toll Free: 800.248.5995