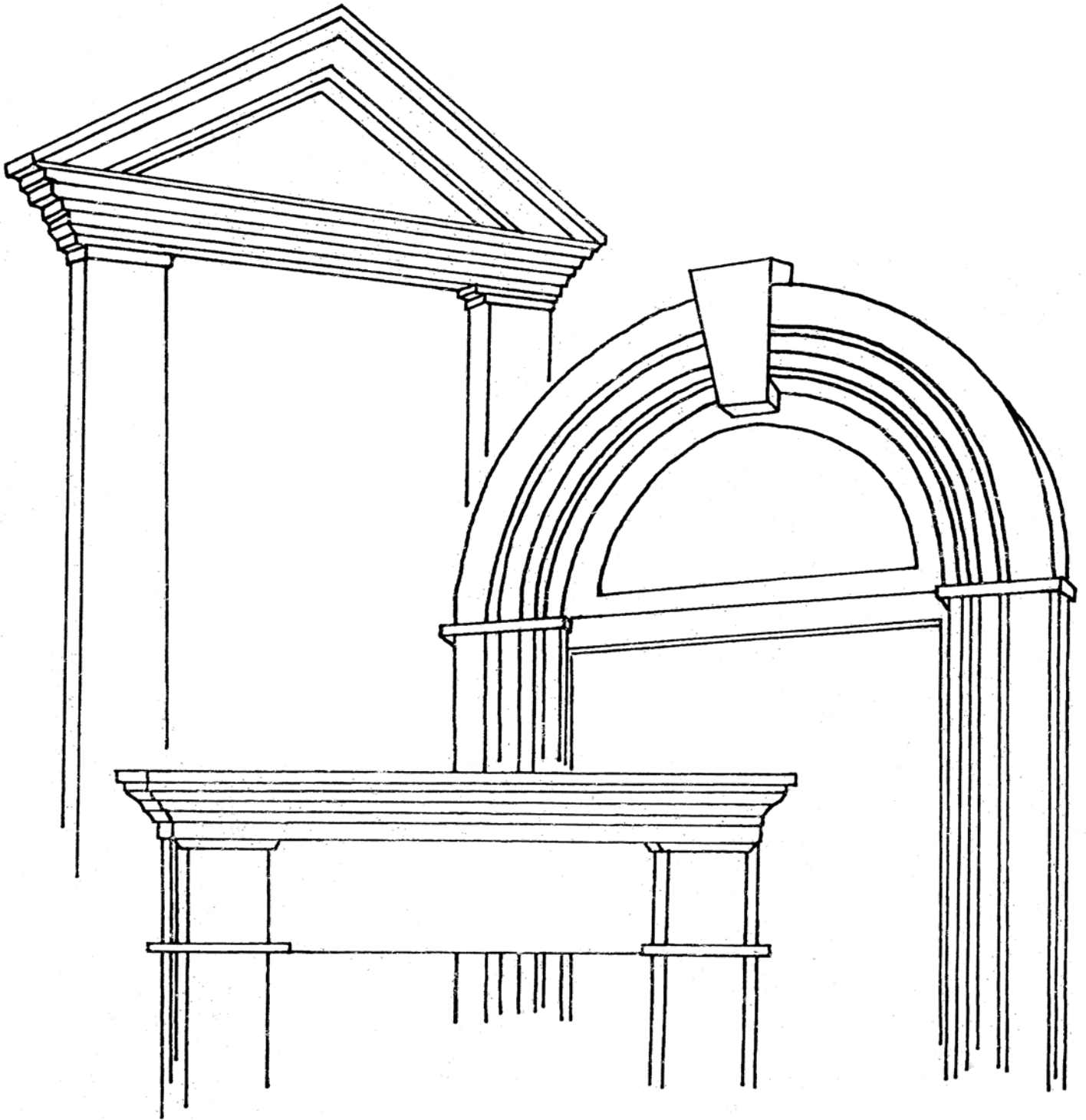


ARCHITECTURAL ELEMENTS COLLECTION



ARCHITECTURAL ELEMENTS COLLECTIONS

Bring your imagination and designs to life with Insulfoam's Exterior Grade (IEG) Special Shapes... the possibilities are unlimited!

Insulfoam is the largest block producer of expanded polystyrene in the U.S. Insulfoam's in-house CAD/CAM capabilities assure accuracy, quality and consistency. The integrity of design or period style is maintained throughout each and every exterior wall systems project.

Insulfoam's designer will assist in unparalleled design opportunities, with Columns, Pediments, Keystones, Spandrels, Reveals, Cornices and Arches.

Cost-effective designs are possible because of the relatively short lead time in which IEG Special Shapes are fabricated. It is also easy to cost justify wall surface design when it increases the insulation value and adds to the building's life.

Installing IEG Special Shapes to an existing building does not require expensive structural reinforcement. Strong and easy to work with, yet extremely light; A 12" thick special shape of 1 pound per cubic density EPS weights a mere 16 ounces per square foot.

Insulfoam's Exterior Grade (IEG) Special Shapes can be fabricated on-site with a carpenter's saw, hot knife or hot wire system.

Every Insulfoam plant has a certification program, and is monitored and audited by Underwriters Laboratories, Inc. This procedure enables Insulfoam to provide a certified/code listed EPS product:

- Meeting ASTM C578 for R-Value, density, fire retardancy and dimensional tolerances.
- And boards labeled in accordance with applicable code and code enforcement requirements.

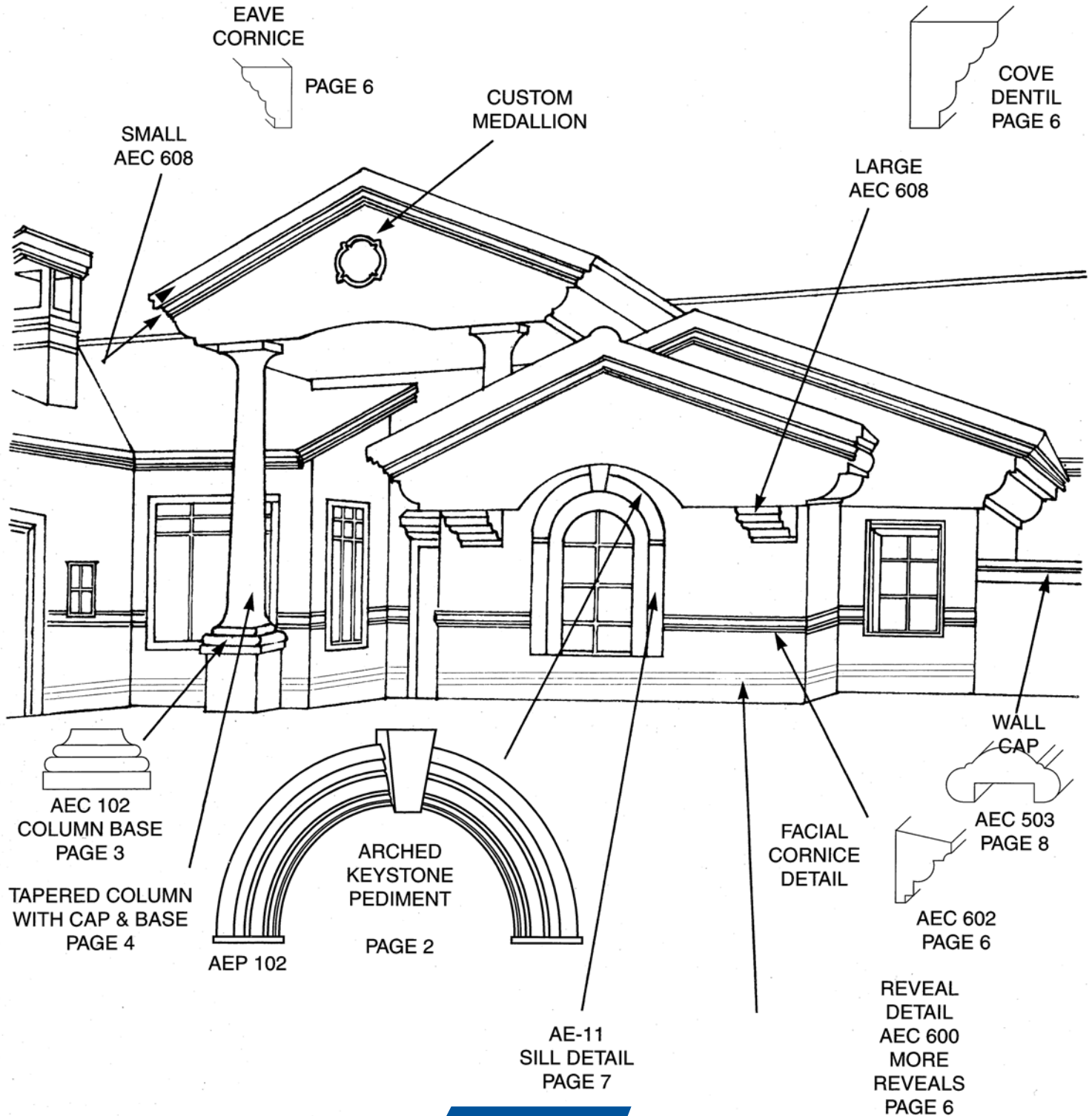
Insulfoam's Exterior Grade (IEG) Special Shapes and Flat Board stock contains • NO HCFC'S • NO formaldehyde • Non-corrosive • Resilient • NO thermal drift and carries a 20 year R-Value warranty.

Please call us or one of our IEG Shape Distributors if you have any questions concerning our ARCHITECTURAL ELEMENTS, Special Shape product line.

TABLE OF CONTENTS

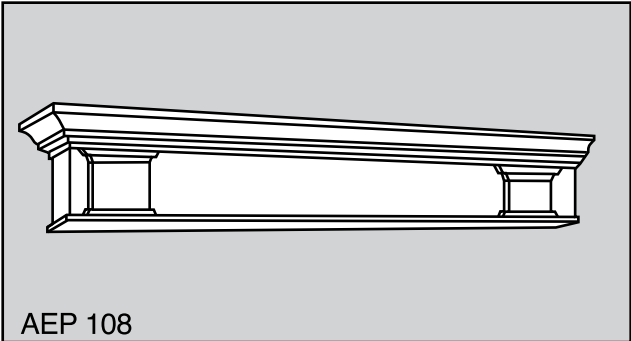
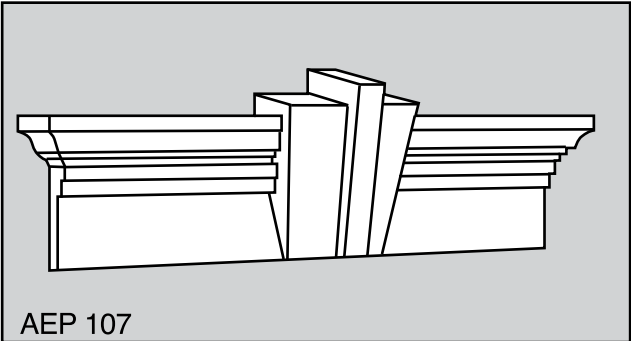
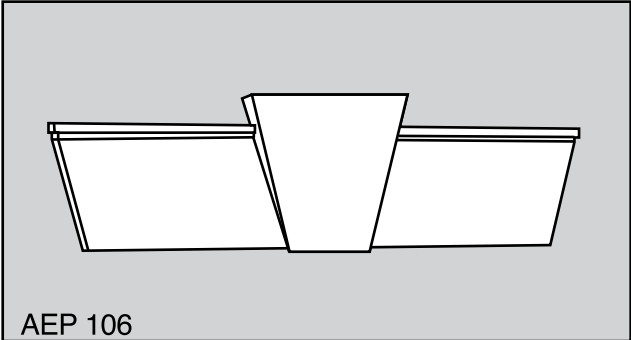
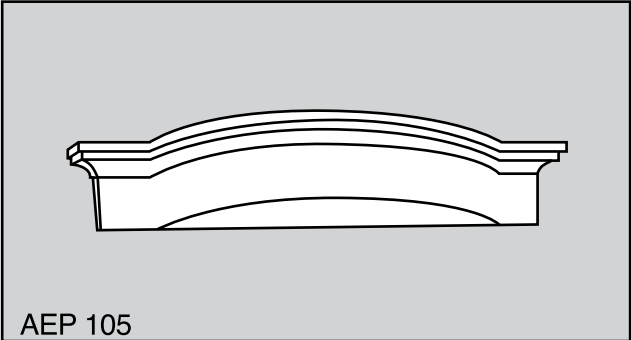
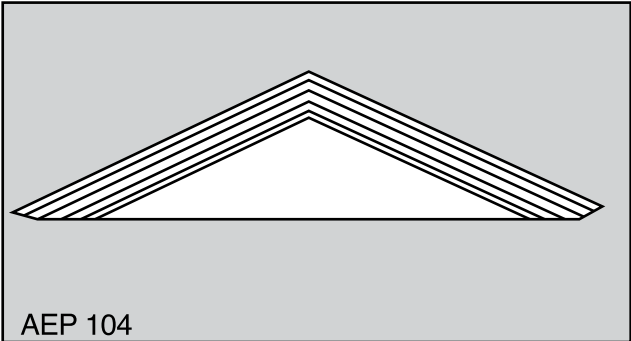
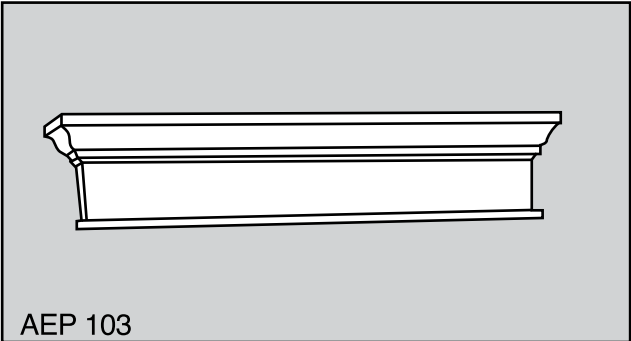
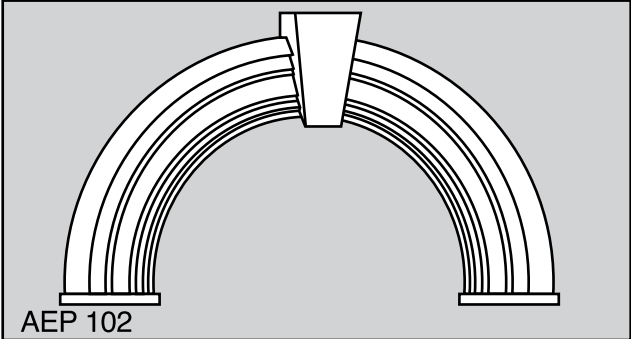
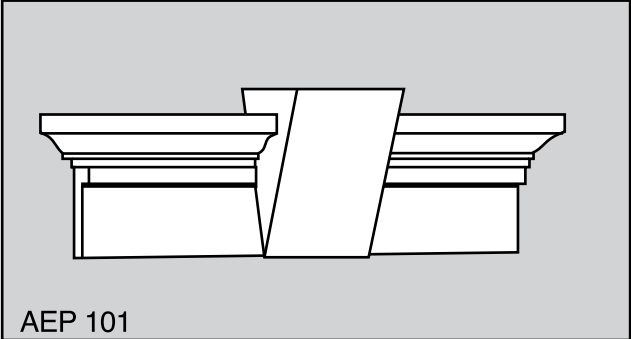
Builders Key Details	Page 1
Pediments	Page 2
Caps and Bases	Page 3
Columns	Page 4
Parapets	Page 5
Sill Details	Page 6
Wall Caps	Page 7
Cornices, Reveals, Bands	Page 8
Cornices	Page 9-18
Technical Information	Page 19-20
Insulfoam Locations.....	Page 20
Customer Notes.....	Page 21

ARCHITECTURAL ELEMENTS COLLECTION BUILDERS KEY DETAILS

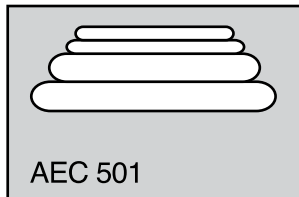
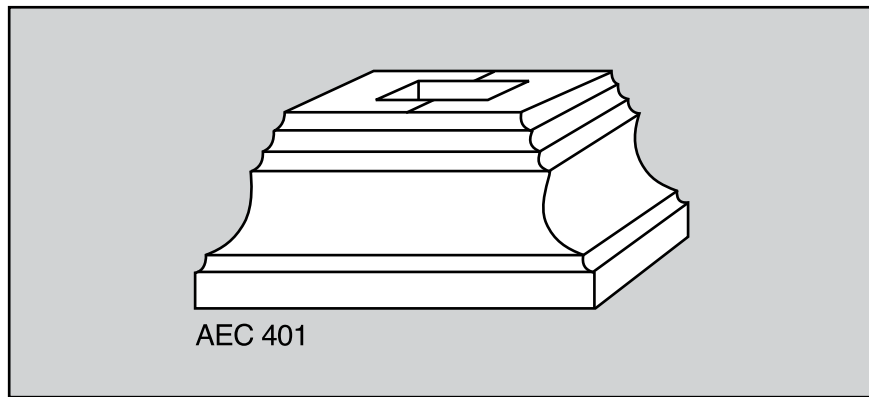
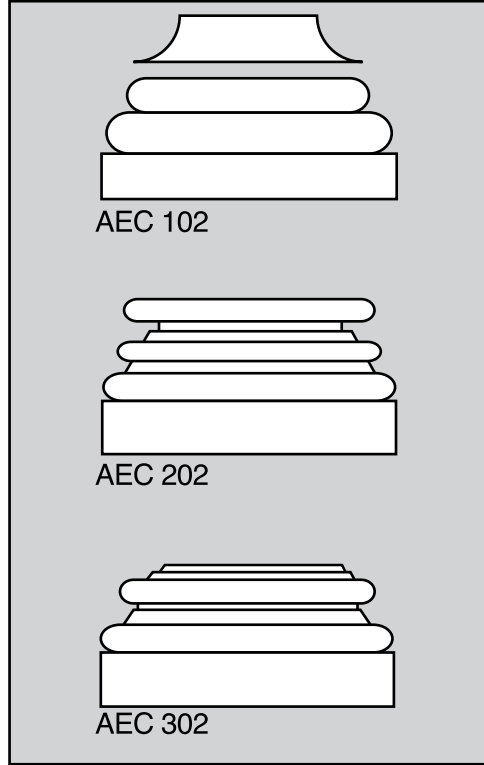
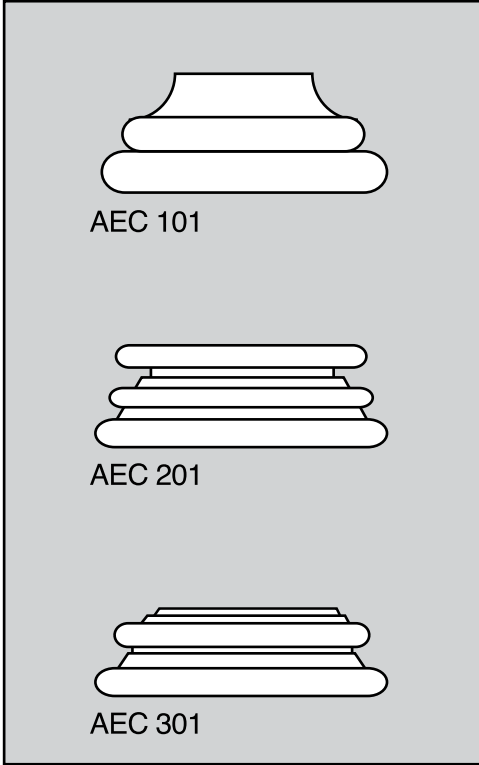


ARCHITECTURAL ELEMENTS

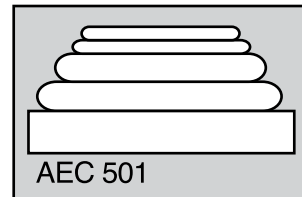
PEDIMENTS



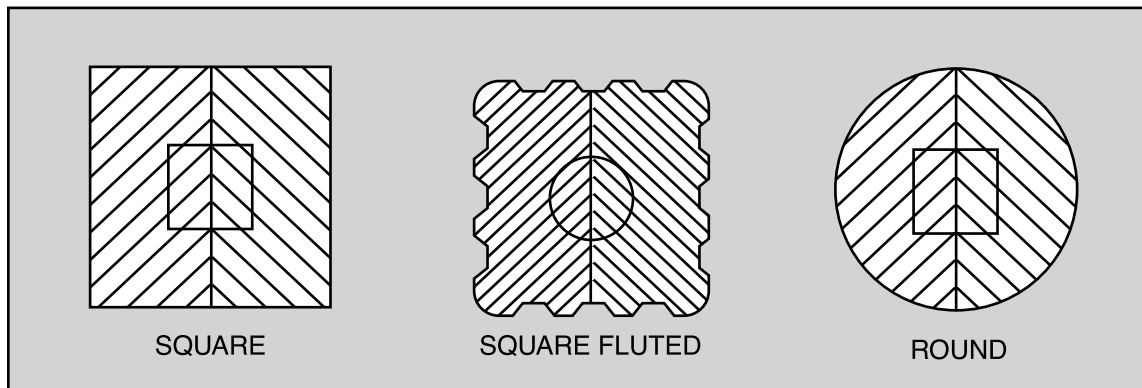
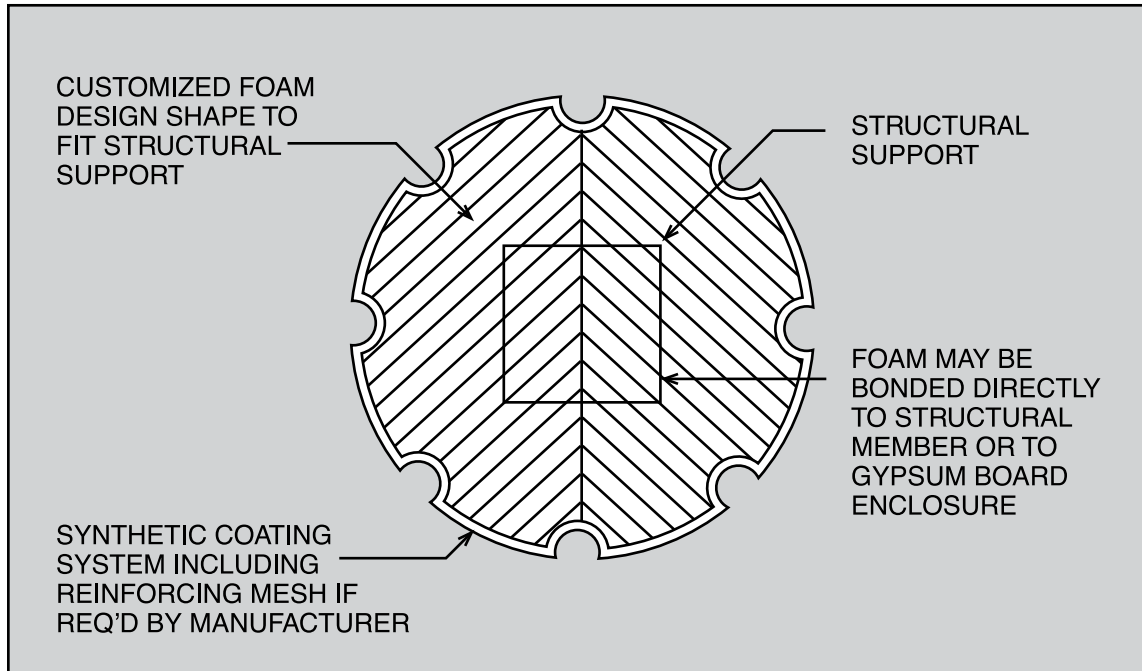
ARCHITECTURAL ELEMENTS COLLECTION CAPS AND BASES



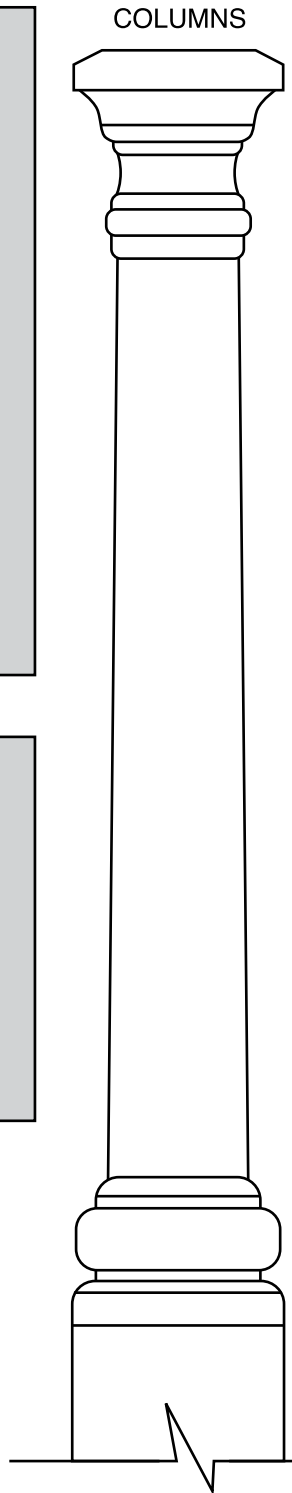
*SPECIFY HEIGHTS AND
DIAMETER REQUIRED
AVAILABLE IN SQUARE AND
ROUND STYLES



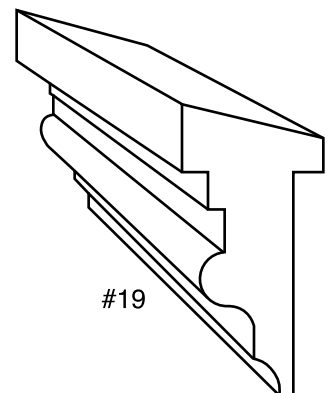
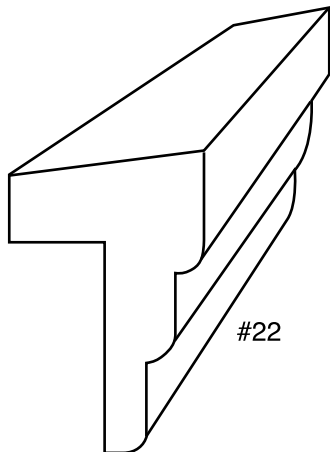
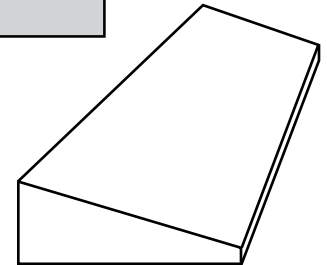
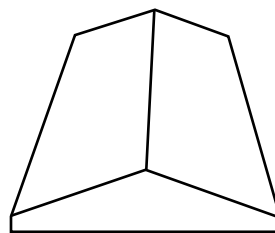
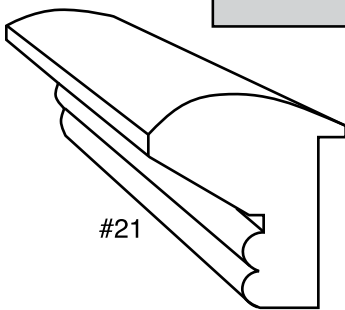
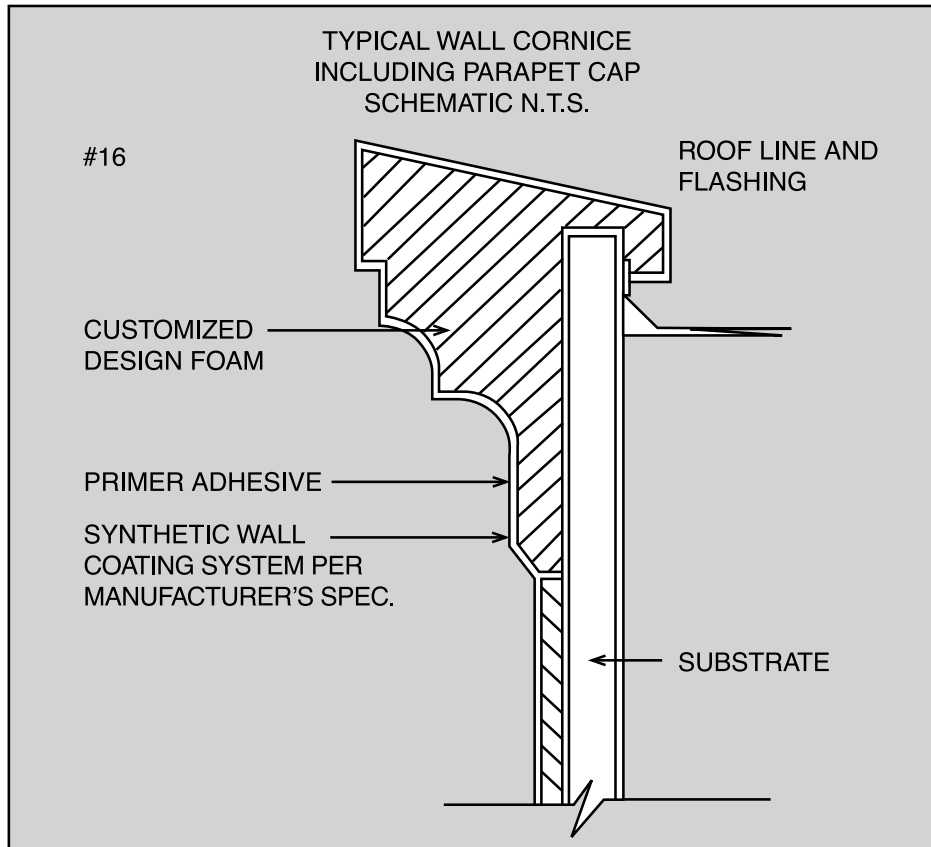
ARCHITECTURAL ELEMENTS COLLECTION



- MANUFACTURED TO MEET ANY DESIGN SPECIFICATION
- AVAILABLE IN 4' AND 8' LENGTHS
- STRUCTURAL SUPPORT POSITION CAN BE MANUFACTURED OFF-CENTER
- AVAILABLE IN HALF OR QUARTER SECTIONS
- RETROFIT EXISTING COLUMNS



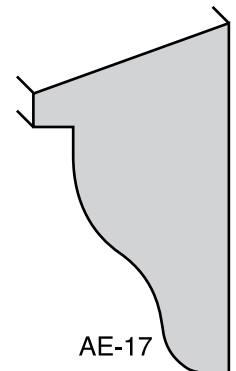
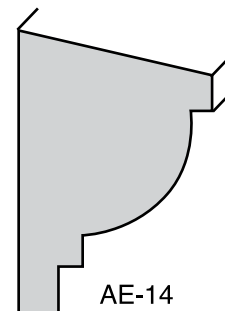
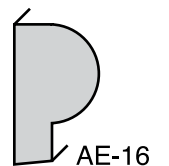
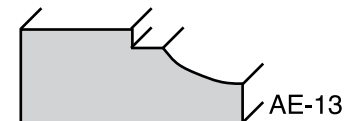
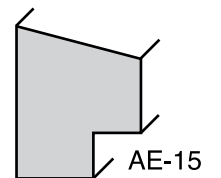
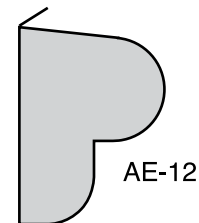
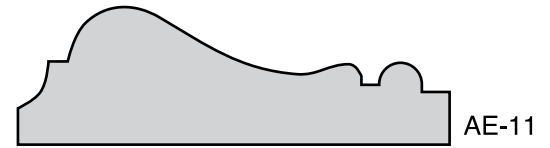
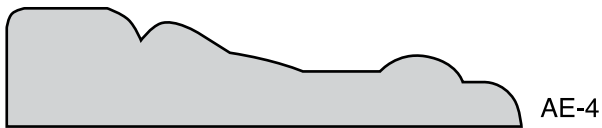
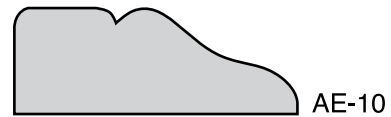
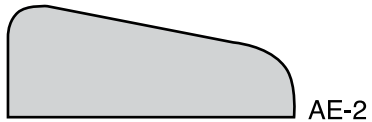
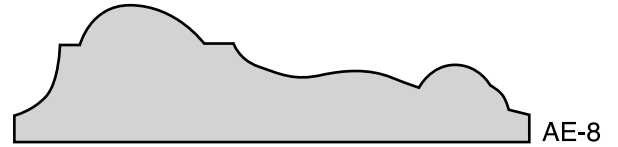
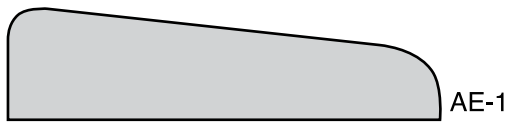
ARCHITECTURAL ELEMENTS COLLECTION PARAPETS



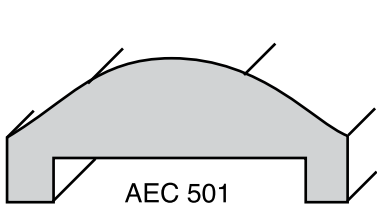
- UNLIMITED DESIGN OPTIONS
- COST EFFECTIVE
- COMPATIBLE WITH MOST SYNTHETIC FINISHES
- IDEAL FOR RETROFIT PROJECTS



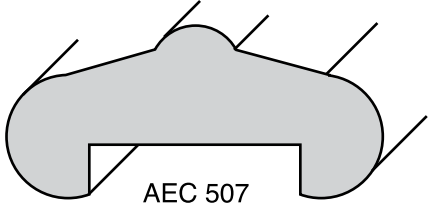
ARCHITECTURAL ELEMENTS SILL DETAILS



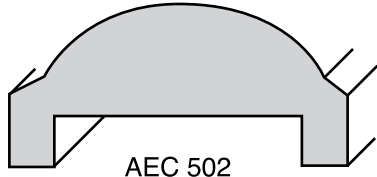
ARCHITECTURAL ELEMENTS COLLECTION WALL CAPS



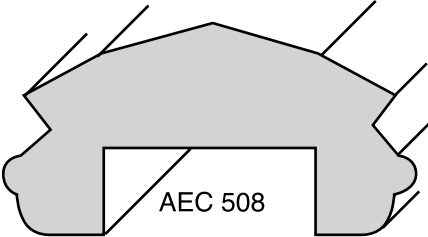
AEC 501



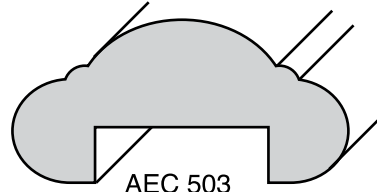
AEC 507



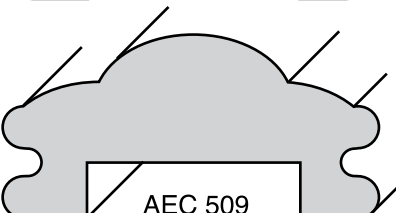
AEC 502



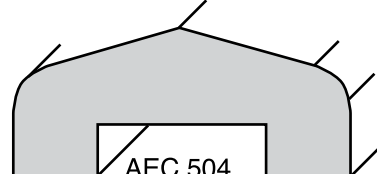
AEC 508



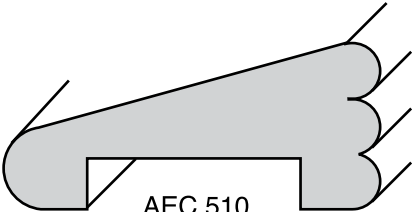
AEC 503



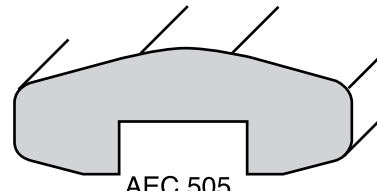
AEC 509



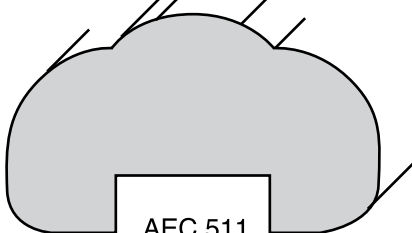
AEC 504



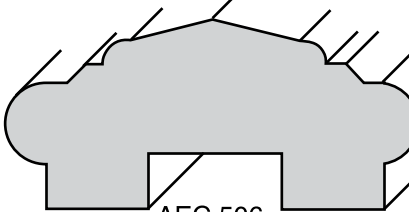
AEC 510



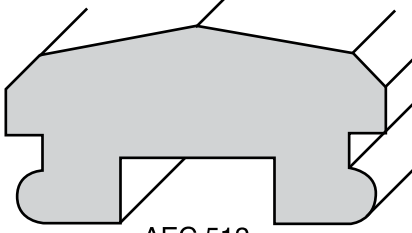
AEC 505



AEC 511



AEC 506

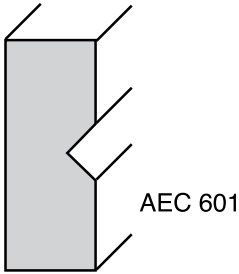


AEC 512

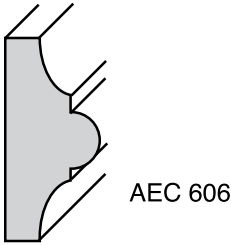


ARCHITECTURAL ELEMENTS

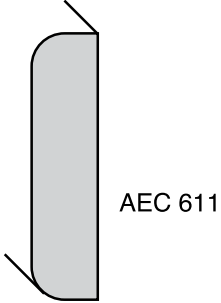
CORNICES, REVEALS, BANDS



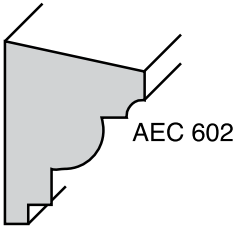
AEC 601



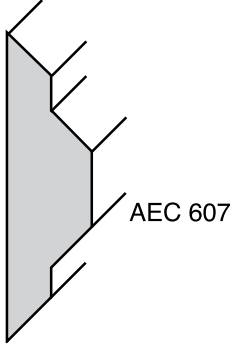
AEC 606



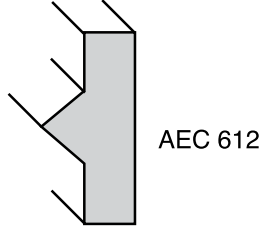
AEC 611



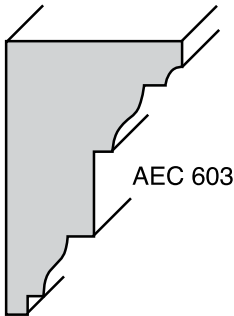
AEC 602



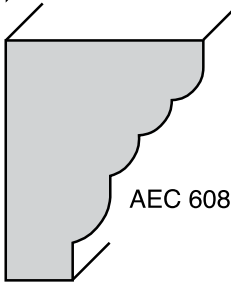
AEC 607



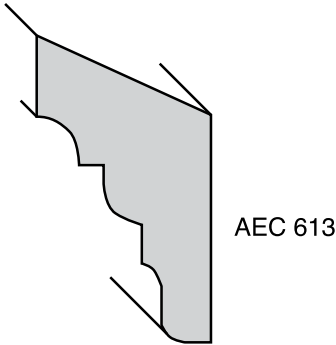
AEC 612



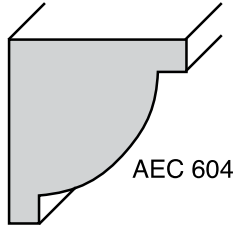
AEC 603



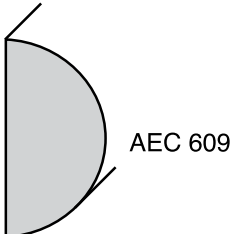
AEC 608



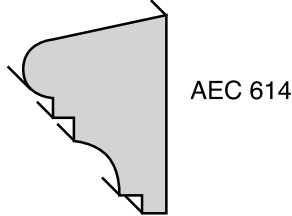
AEC 613



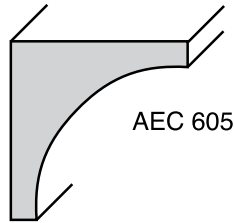
AEC 604



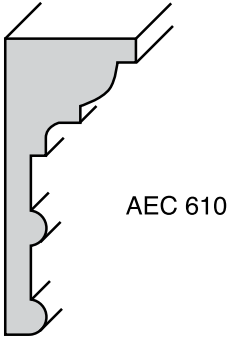
AEC 609



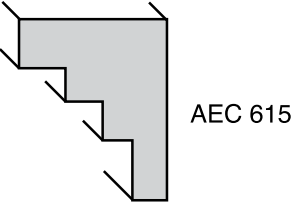
AEC 614



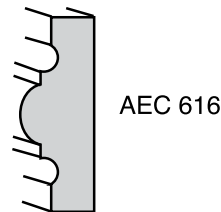
AEC 605



AEC 610



AEC 615

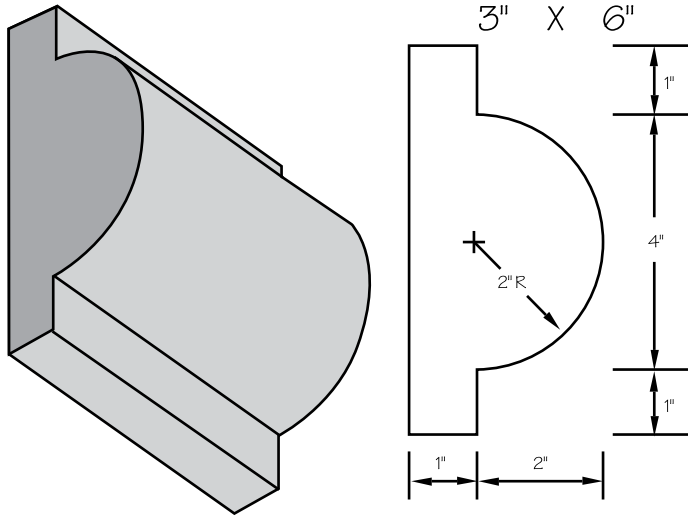


AEC 616

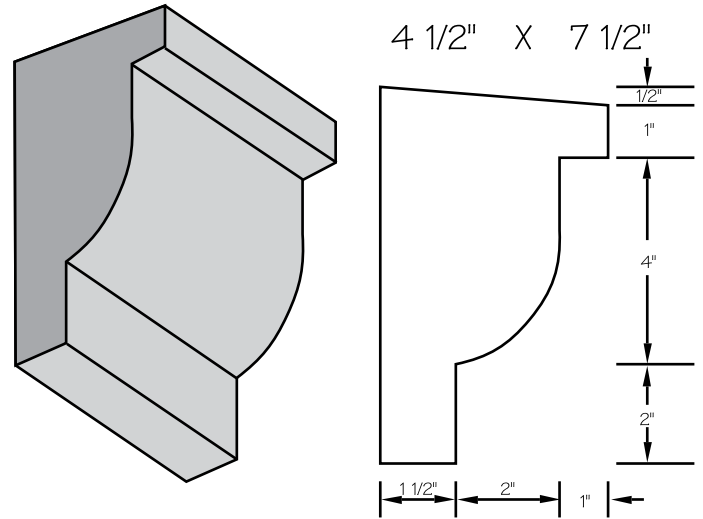


ARCHITECTURAL ELEMENTS COLLECTION CORNICES

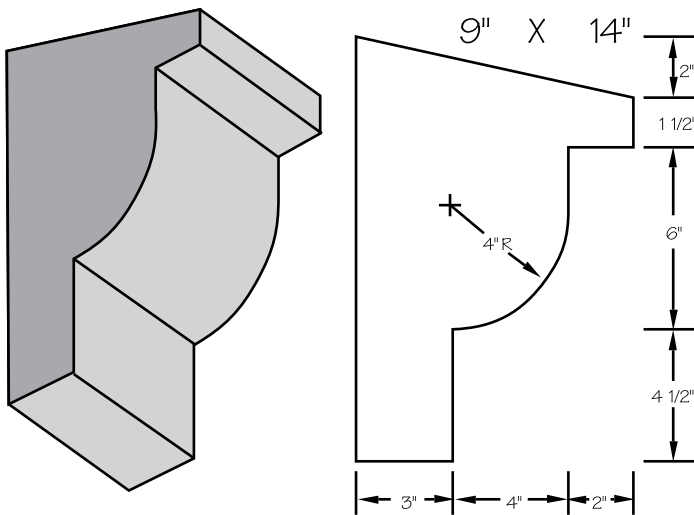
A-001



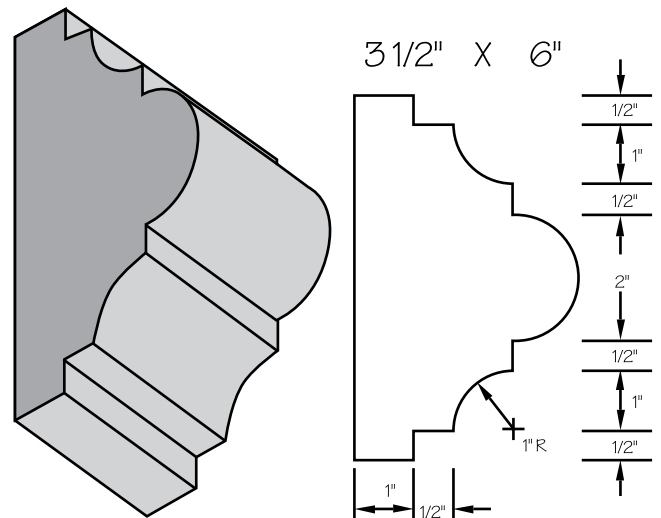
A-002



A-003



A-004

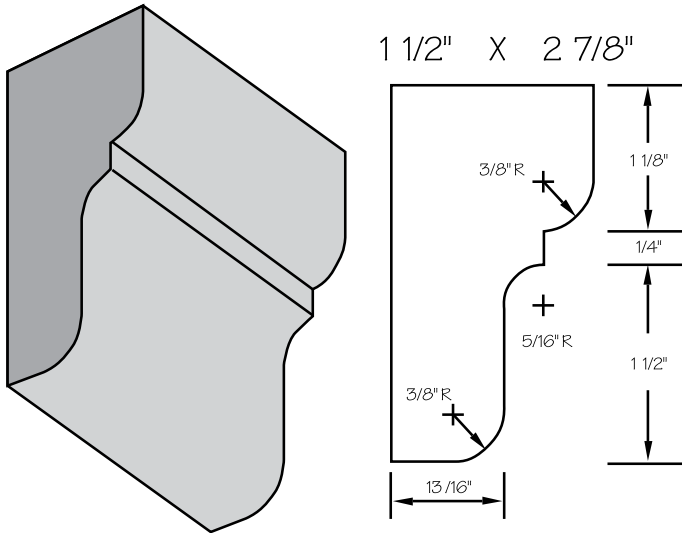


- UNLIMITED DESIGN OPTIONS
- AVAILABLE IN 4' AND 8' LENGTHS
- COMPATIBLE WITH MOST SYNTHETIC FINISHES
- IDEAL FOR RETROFIT PROJECTS

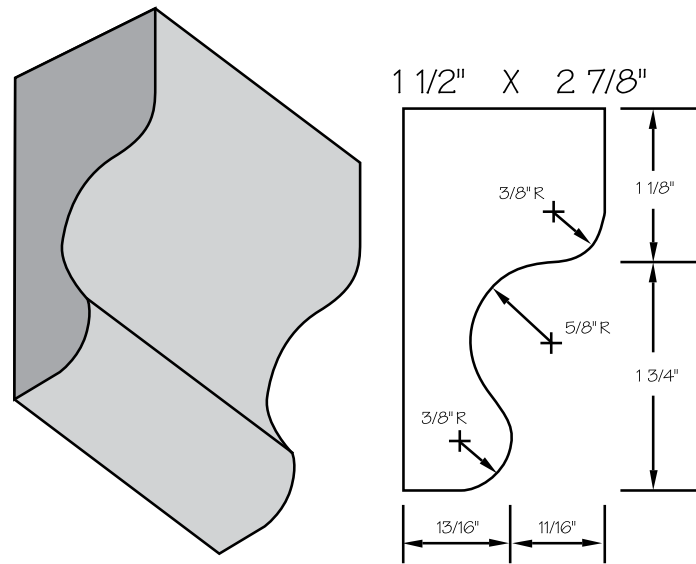


ARCHITECTURAL ELEMENTS COLLECTION CORNICES

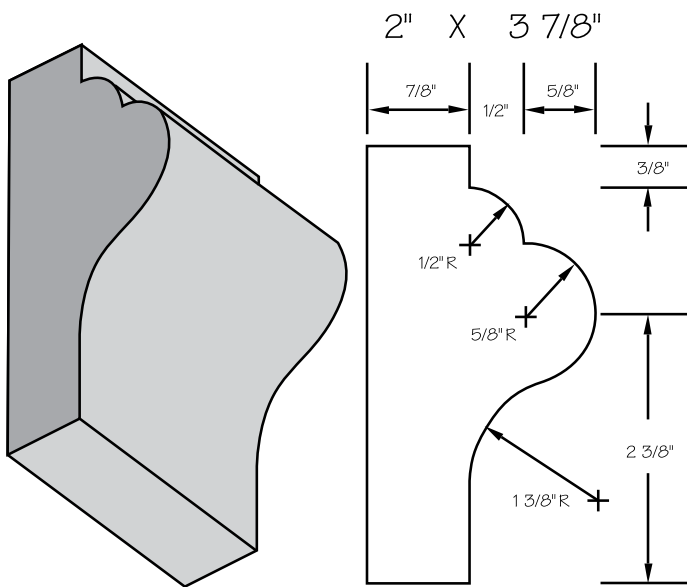
A-005



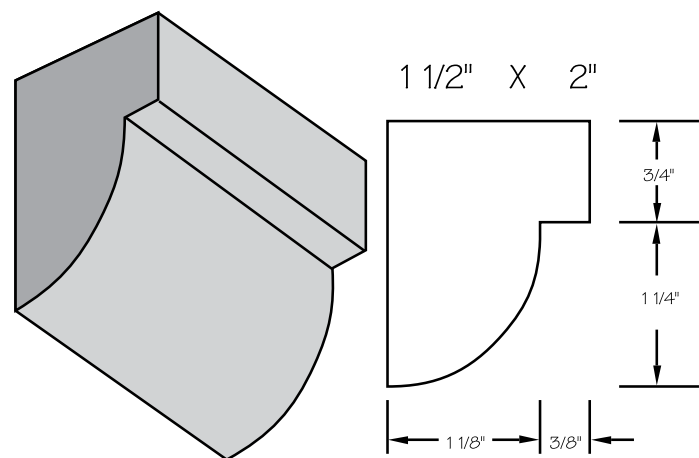
A-006



A-007



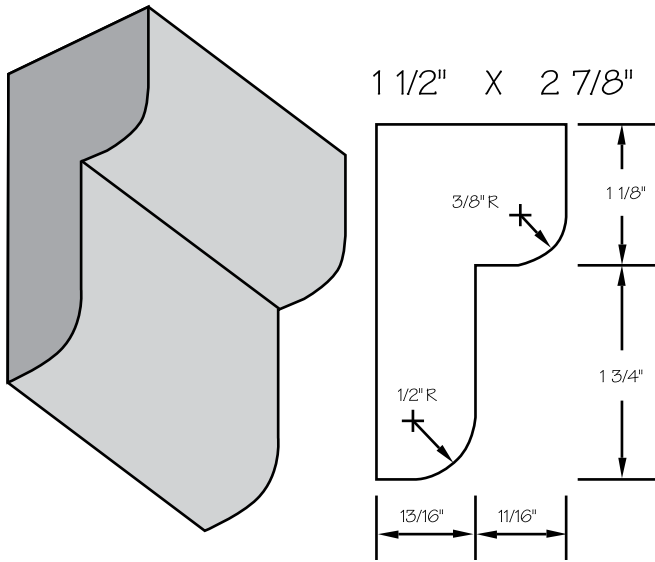
A-008



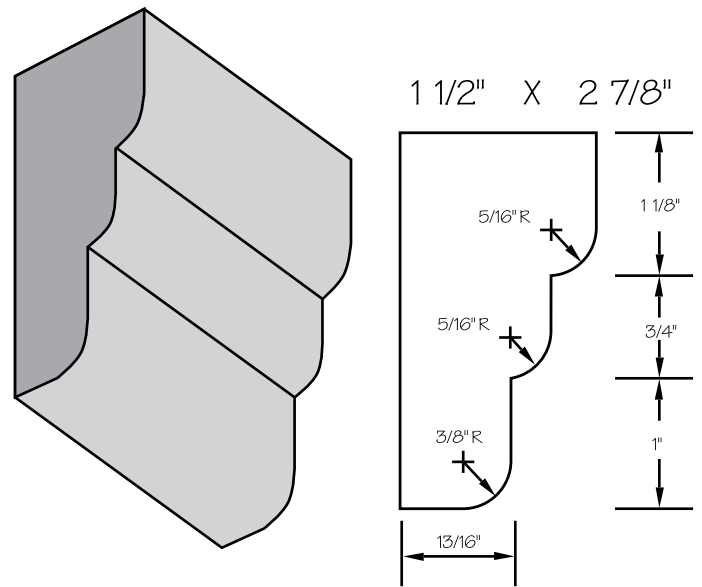
- UNLIMITED DESIGN OPTIONS
- AVAILABLE IN 4' AND 8' LENGTHS
- COMPATIBLE WITH MOST SYNTHETIC FINISHES
- IDEAL FOR RETROFIT PROJECTS

ARCHITECTURAL ELEMENTS COLLECTION CORNICES

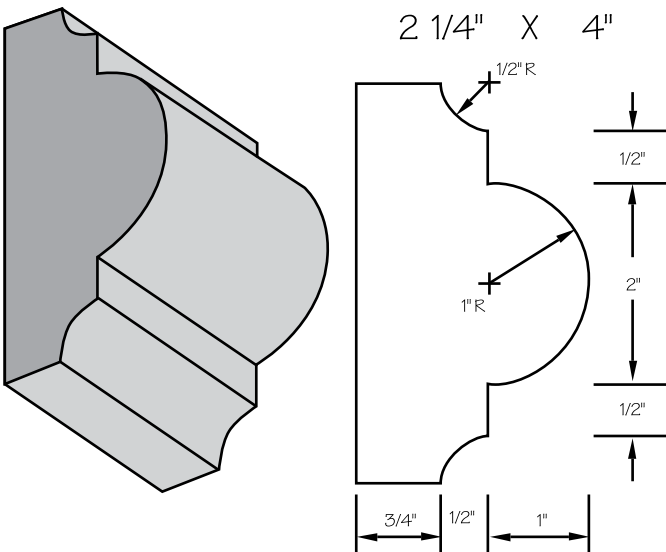
A-009



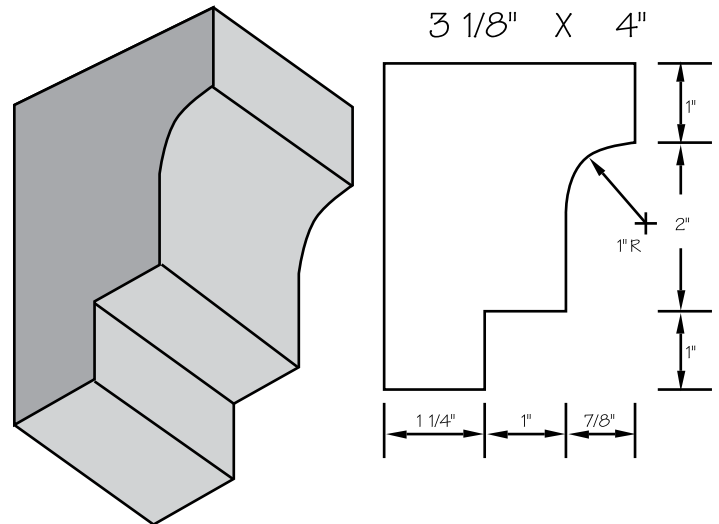
A-010



A-011



A-012

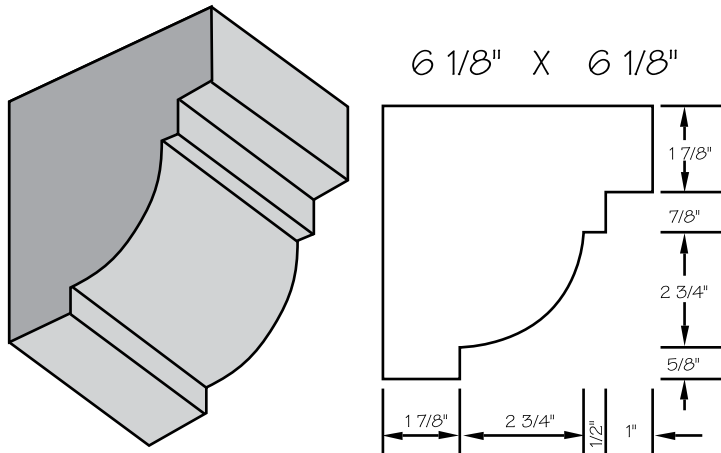


- UNLIMITED DESIGN OPTIONS
- AVAILABLE IN 4' AND 8' LENGTHS
- COMPATIBLE WITH MOST SYNTHETIC FINISHES
- IDEAL FOR RETROFIT PROJECTS

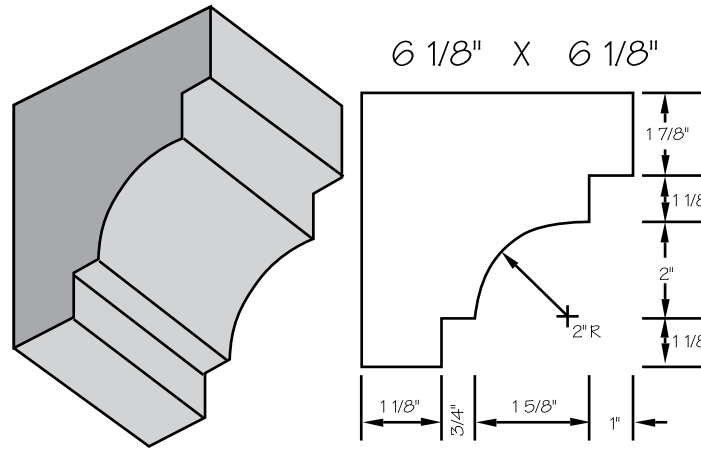


ARCHITECTURAL ELEMENTS COLLECTION CORNICES

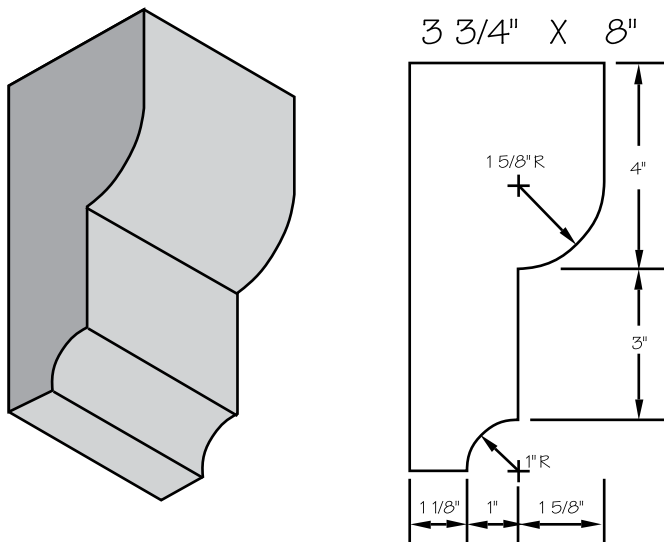
A-013



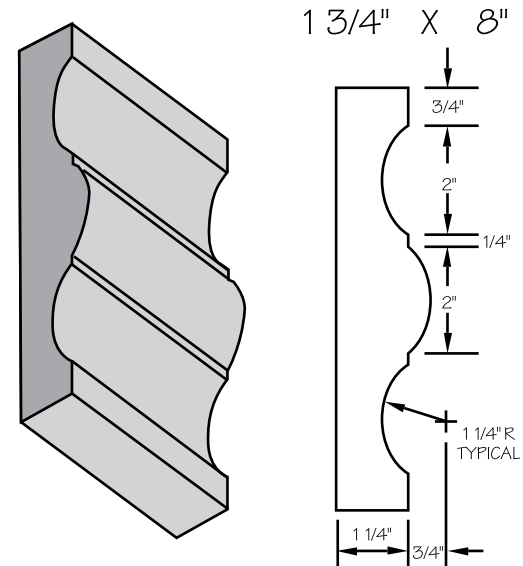
A-014



A-015



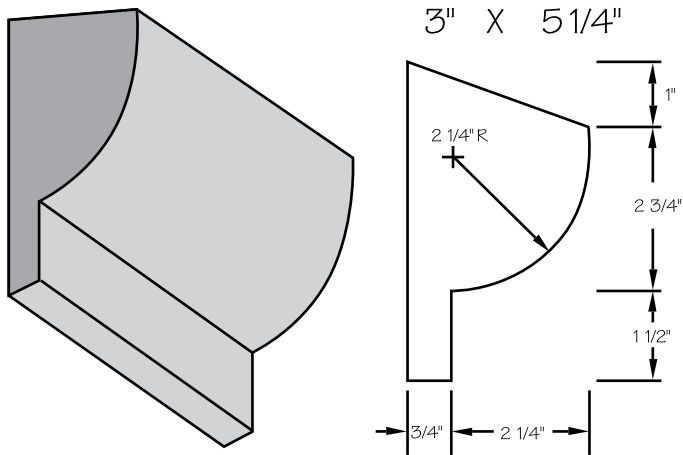
A-016



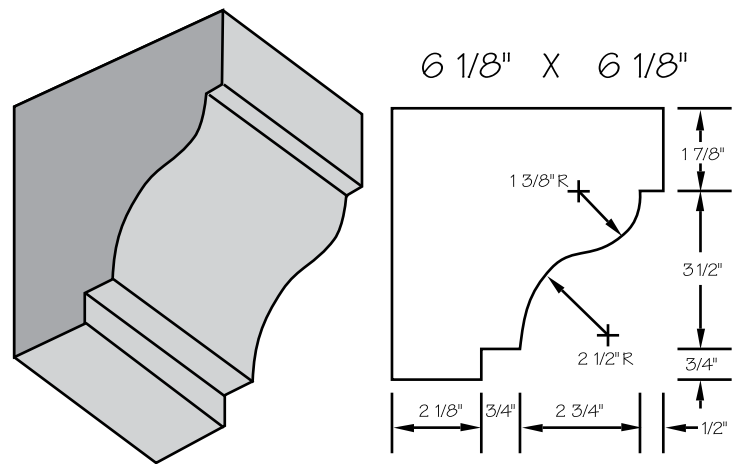
- UNLIMITED DESIGN OPTIONS
- AVAILABLE IN 4' AND 8' LENGTHS
- COMPATIBLE WITH MOST SYNTHETIC FINISHES
- IDEAL FOR RETROFIT PROJECTS

ARCHITECTURAL ELEMENTS COLLECTION CORNICES

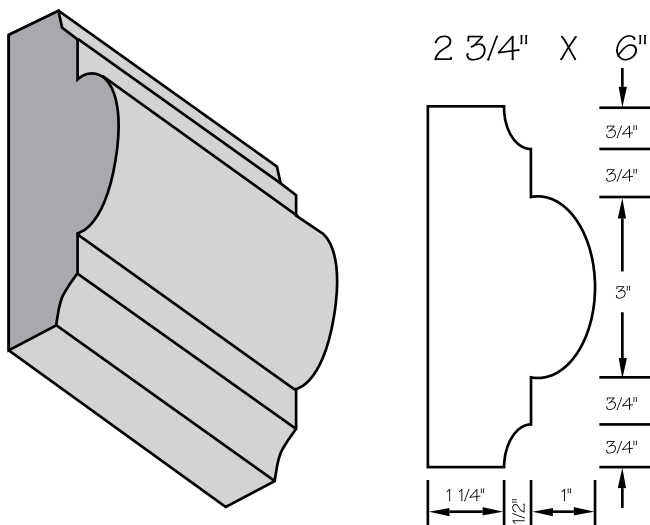
A-017



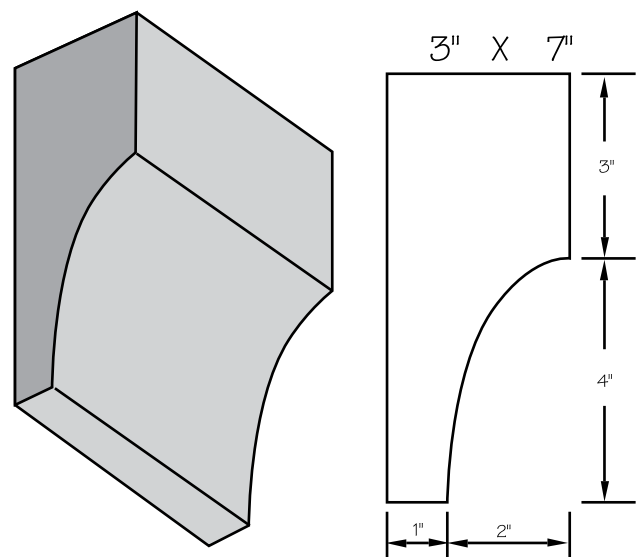
A-018



A-019



A-020

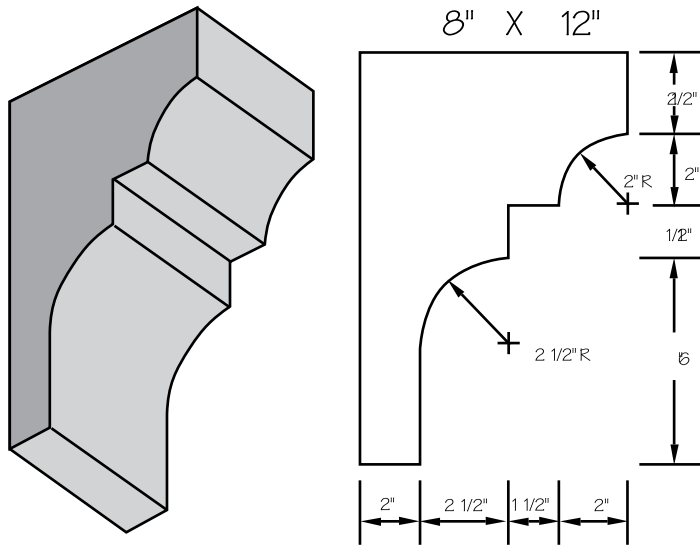


- UNLIMITED DESIGN OPTIONS
- AVAILABLE IN 4' AND 8' LENGTHS
- COMPATIBLE WITH MOST SYNTHETIC FINISHES
- IDEAL FOR RETROFIT PROJECTS

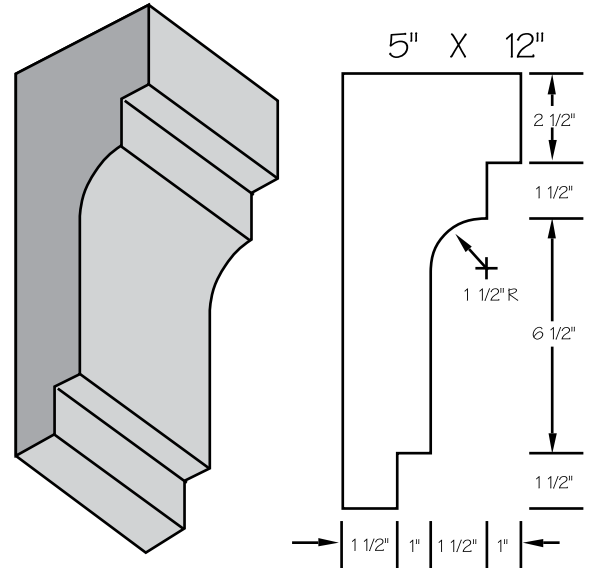


ARCHITECTURAL ELEMENTS COLLECTION CORNICES

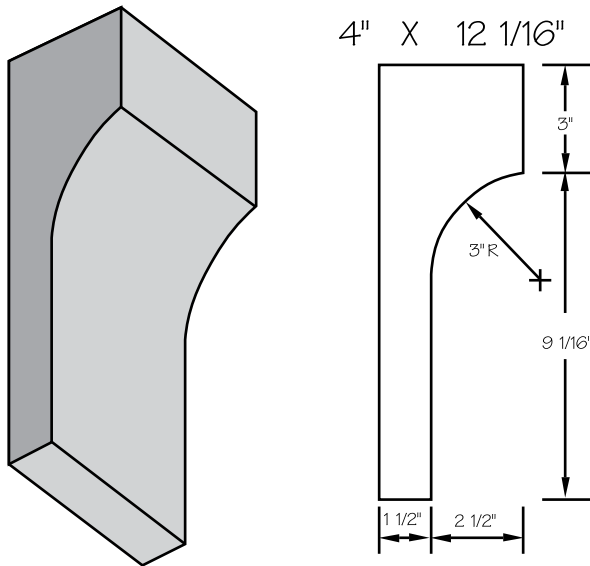
A-021



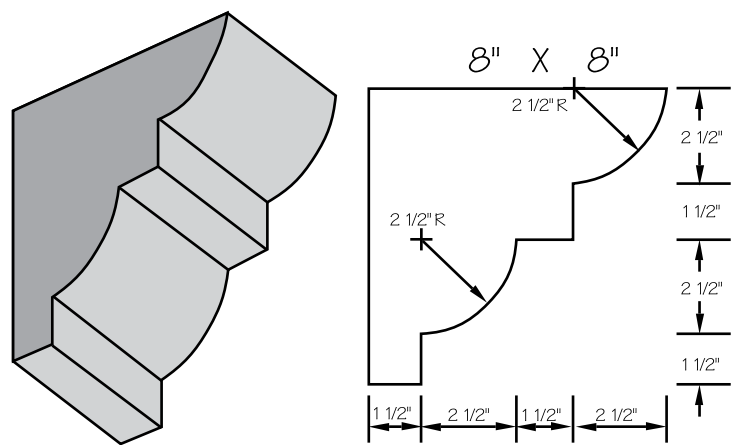
A-022



A-023



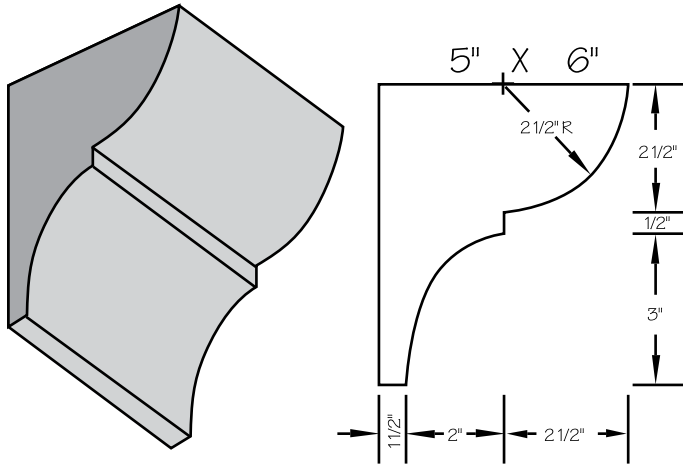
A-024



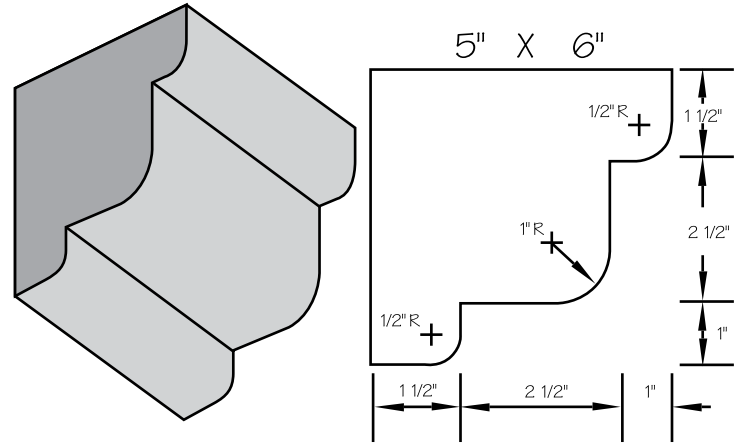
- UNLIMITED DESIGN OPTIONS
- AVAILABLE IN 4' AND 8' LENGTHS
- COMPATIBLE WITH MOST SYNTHETIC FINISHES
- IDEAL FOR RETROFIT PROJECTS

ARCHITECTURAL ELEMENTS COLLECTION CORNICES

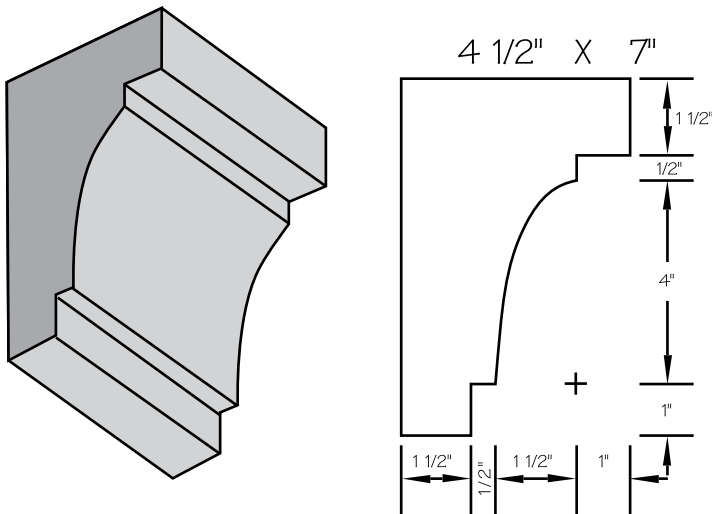
A-025



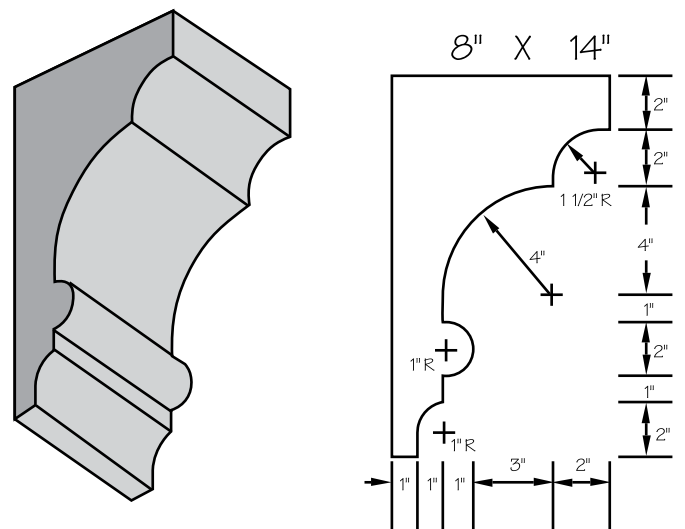
A-026



A-027



A-028

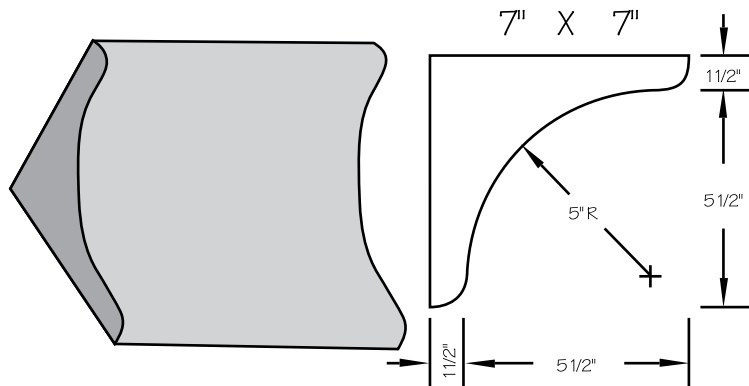


- UNLIMITED DESIGN OPTIONS
- AVAILABLE IN 4' AND 8' LENGTHS
- COMPATIBLE WITH MOST SYNTHETIC FINISHES
- IDEAL FOR RETROFIT PROJECTS

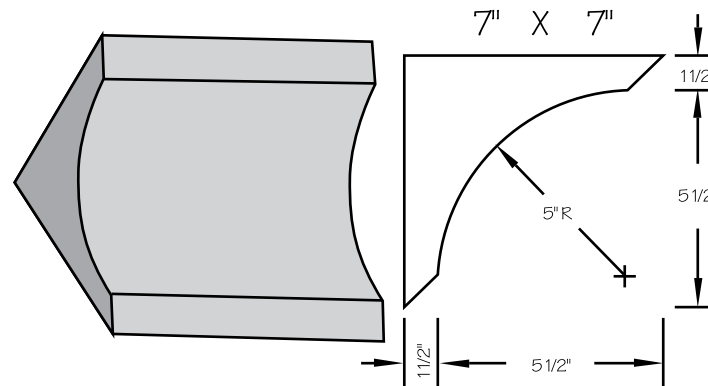


ARCHITECTURAL ELEMENTS COLLECTION CORNICES

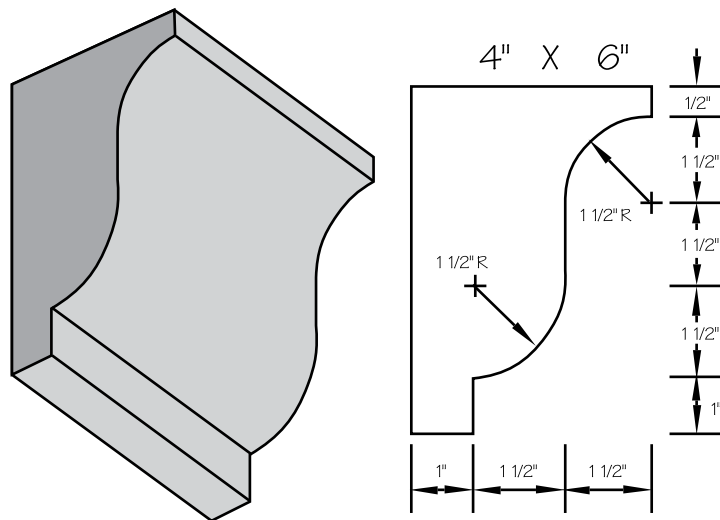
A-029



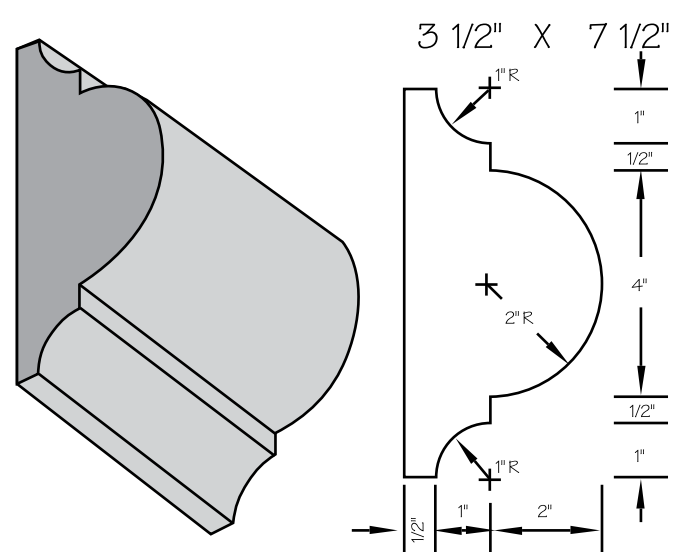
A-030



A-031



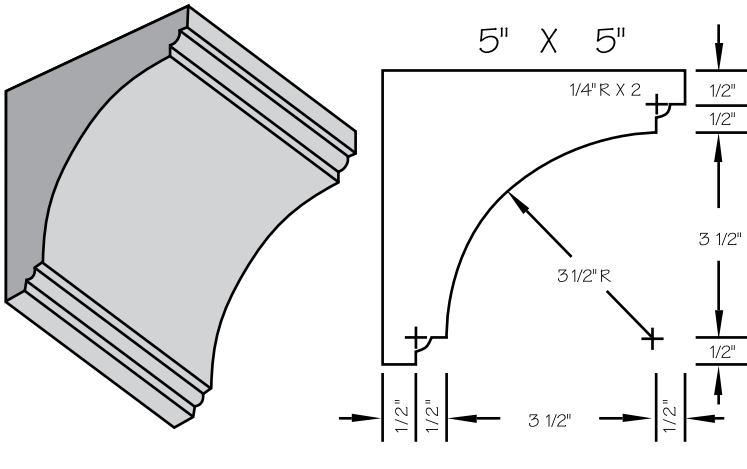
A-032



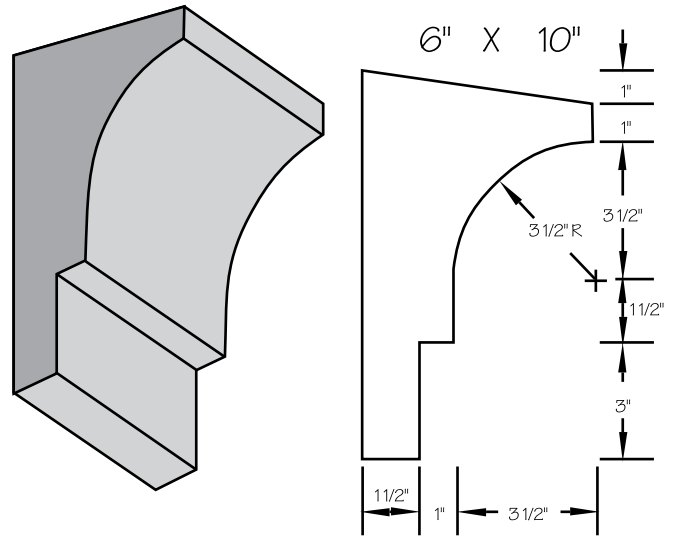
- UNLIMITED DESIGN OPTIONS
- AVAILABLE IN 4' AND 8' LENGTHS
- COMPATIBLE WITH MOST SYNTHETIC FINISHES
- IDEAL FOR RETROFIT PROJECTS

ARCHITECTURAL ELEMENTS COLLECTION CORNICES

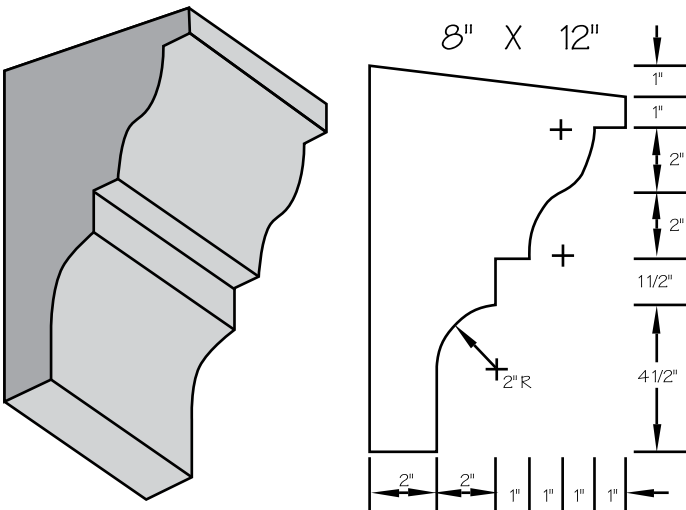
A-033



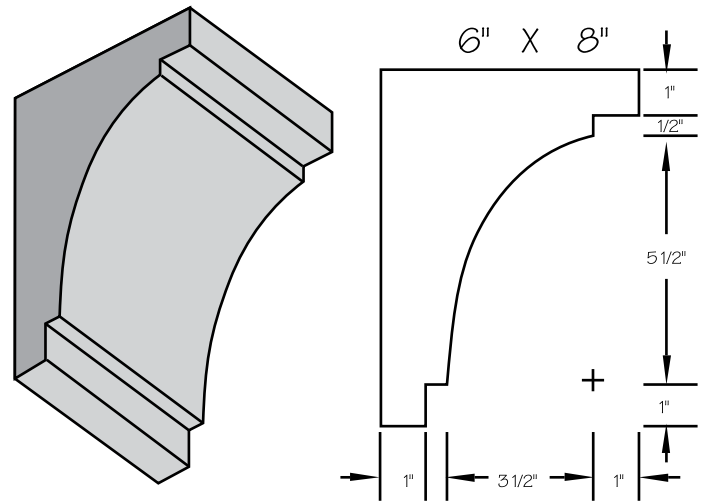
A-034



A-035



A-036

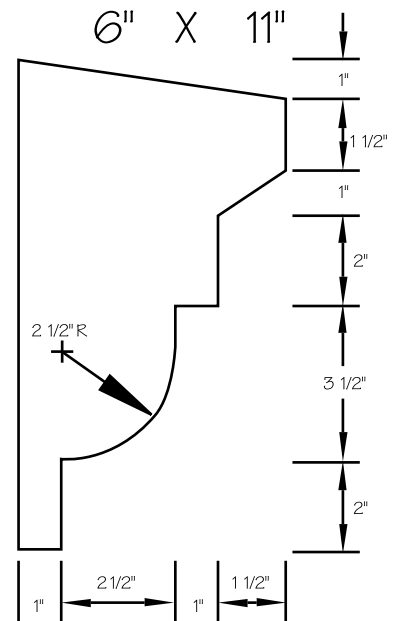
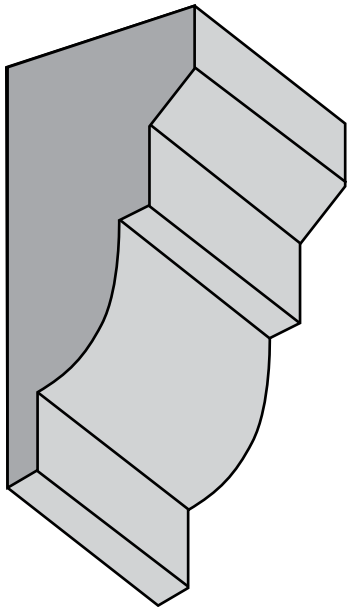


- UNLIMITED DESIGN OPTIONS
- AVAILABLE IN 4' AND 8' LENGTHS
- COMPATIBLE WITH MOST SYNTHETIC FINISHES
- IDEAL FOR RETROFIT PROJECTS

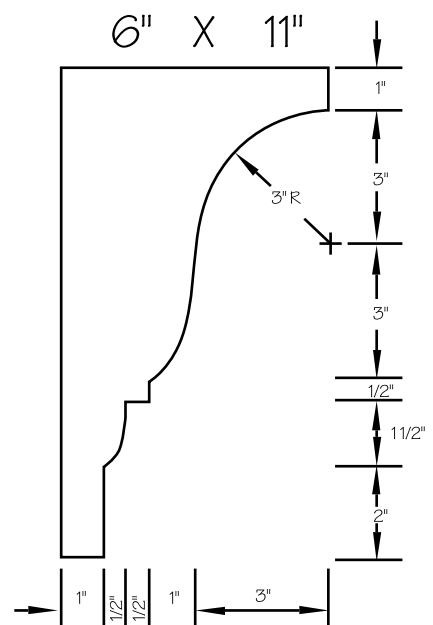
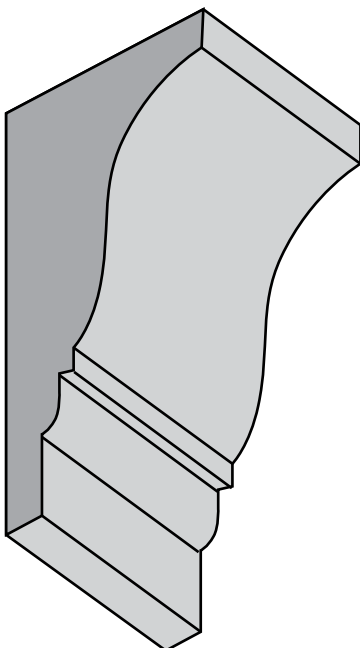


ARCHITECTURAL ELEMENTS COLLECTION CORNICES

A-037



A-038



- UNLIMITED DESIGN OPTIONS
- AVAILABLE IN 4' AND 8' LENGTHS
- COMPATIBLE WITH MOST SYNTHETIC FINISHES
- IDEAL FOR RETROFIT PROJECTS

INSULFOAM'S quality assurance program.

Every Insulfoam plant has a quality assurance program. This program is monitored by an independent laboratory. A quality control manual is retained for inspection by code personnel. This procedure allows Insulfoam to provide certified/code listed EPS products to the wall industry.

(IEG) Insulfoam Exterior Grade EPS is manufactured to meet ASTM C578 and HUD requirements.

Quality control procedures are followed throughout the manufacturing process—

1. Records the raw material entering the production process.
2. Makes regular in-plant tests for R-value, strength, flame retardancy, and density.
3. Secures random samples for testing by independent laboratories.
4. Labels products for easy identification in the field by building inspectors and wall system coating manufacturers.
5. Monitors manufacturing process to assure repeatable performance.

Typical Physical Properties of InsulFoam*

Typical Physical Properties of InsulFoam*					
Property	Type I	Type VIII	Type II	Type IX	Test Method
Nominal Density (pcf)	1.0	1.25	1.5	2.0	ASTM C303
C-Value (Conductance) BTU/(hr•ft ² •°F)					ASTM C518 or ASTM C177
(per inch) @ 25° F	.23	.22	.21	.20	
@ 40° F	.24	.235	.22	.21	
@ 75° F	.26	.255	.24	.23	
R-Value (Thermal Resistance) (hr•ft ² •°F)/BTU					ASTM C518 or ASTM C177
(per inch) @ 25° F	4.35	4.54	4.76	5.00	
@ 40° F	4.17	4.25	4.55	4.76	
@ 75° F	3.85	3.92	4.17	4.35	
Compressive Strength (psi, 10% deformation)	10	13	15	25	ASTM D1621
Flexural Strength (psi)	25	32	40	55	ASTM C203
Dimensional Stability (maximum %)	< 2%	< 2%	< 2%	< 2%	ASTM D2126
Water Vapor Transmission (perms)	5.0	3.5	3.5	2.0	ASTM E96
Absorption (% vol.)	< 4.0	< 3.0	< 3.0	< 2.0	ASTM C272
Capillarity	none	none	none	none	—
Flame Spread	< 20	< 20	< 20	< 20	ASTM E84
Smoke Developed	150 - 300	150 - 300	150 - 300	150 - 300	ASTM E84

*Properties are based on data provided by resin manufacturers, independent test agencies and Insulfoam.

INSULFOAM LLC

With Insulfoam products the owner, architect and applicator are assured of qualified design assistance, consistent quality control and service necessary with today's market demands.

ARCHITECTURAL ELEMENTS

INSULFOAM LLC

Insulfoam is a pioneer in molded polystyrene foam products. With manufacturing plants throughout the U.S., Insulfoam is the oldest and largest producer of expanded polystyrene in North America. Call the location nearest you for specific answers to your insulating and design needs.

FLAMMABILITY WARNING

Insulfoam's expanded polystyrene (EPS) products are combustible, as are all organic materials. They must not be stored or installed near open flame or any other source of ignition. In addition, when EPS insulation board is installed in the interior of any occupied structure, it must be protected by a proper thermal barrier, and the installer must review applicable local, state and federal building codes to determine the correct thermal barrier for the particular application.

MANUFACTURING'S STATEMENT

These numerical flame spread and smoke ratings are not intended to reflect hazards presented by this material under actual fire conditions.

READ THIS BEFORE YOU BUY

WHAT YOU SHOULD KNOW ABOUT R-VALUES: The chart shows the R-Value of this insulation, R-Value means resistance to heat flow. The higher the R-Value, the greater the insulation power. Compare insulation R-Values before you buy. There are other factors to consider. The amount of insulation you need depends mainly on the climate you live in. Also, your fuel savings from insulation will depend upon the climate, the type and size of your house, the amount of insulation already in your house and your fuel use patterns and family size. If you buy too much insulation, it will cost you more than what you'll save on fuel.

To get the marked R-Value, it is essential that this insulation be installed properly.

LIMITED WARRANTY AND REMEDY

Insulfoam warrants to the original purchaser for a period of one year from the date of delivery to that purchaser that our expanded polystyrene (EPS) products are manufactured in accordance with our specifications and are free from defects in workmanship and materials using those specifications as standards. Insulfoam makes no other representation or warranty of any kind, express or implied, in fact or in law, including, without limitation, the warranty of merchantability or warranty of fitness for particular purpose, other than the limited warranty set forth in the preceding sentence. The limit and exclusive remedy of our liability shall be to supply an equivalent amount of product for any material returned to us within one year of shipment to the original purchaser and found to be defective among us, regardless of whether the defect was latent or obvious. Replacement of a nonconforming product is the purchaser's or user's exclusive remedy and we will not be responsible for any consequential damage, loss or injury of any kind.

Insulfoam does not practice engineering or architecture. No agent, salesman, or representative is empowered to change, alter, or amend the above statements unless done in writing by a duly authorized officer of Insulfoam.

ADJOINING MATERIALS WARNING

Expanded polystyrene (EPS) is subject to attack by liquid solvent or by most solvent based adhesives and other liquid products such as gas, diesel, etc. Care should also be taken to separate any coal tar pitch products or coal tar pitch vapors from any direct contact with EPS foam.



